

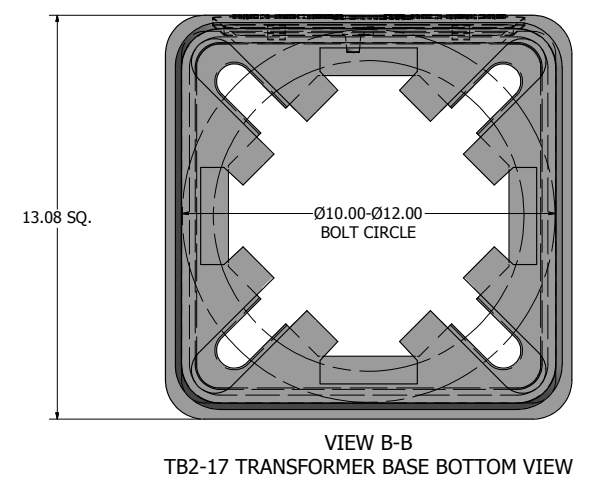
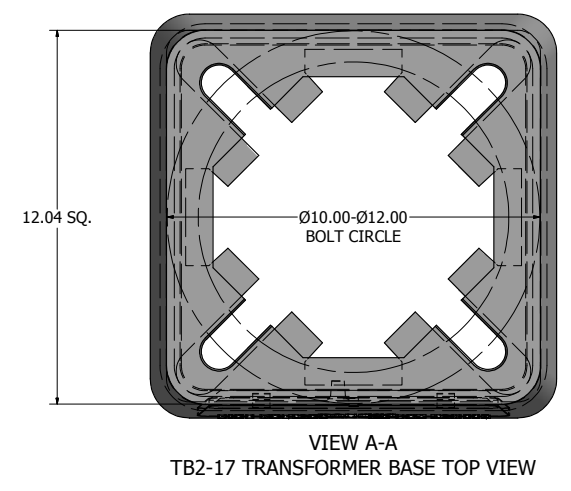
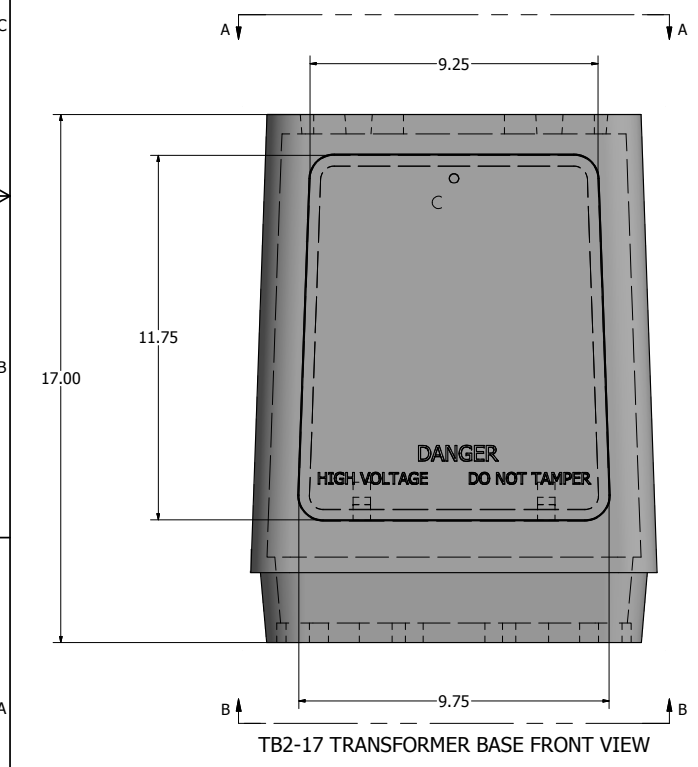
NOTE:

APPROVED BY F.H.W.A. TO 1985 AASHTO REQUIREMENTS

FOR Ø10.00-Ø12.00 TOP BOLT CIRCLE USE Ø2.50 OD X .38 THK OR Ø2.75 OD X .50 THK WASHERS

FOR Ø10.00-Ø12.00 BOTTOM BOLT CIRCLE USE Ø2.75 OD X .50 THK WASHERS

TORQUE GROUND MOUNTING NUTS TO 150 FT. LBS.



lyte poles
a DSW company

P.O. Box 340
Eastpointe, MI 48021
P: (586) 771-4610 | F: (586) 771-5527
www.lytepoles.com

DRAWN: M. HARVALA	2/16/2015	SOME GEOGRAPHICAL AREAS HAVE SPECIAL WIND CONDITIONS THAT CAN CREATE WIND INDUCED VIBRATIONS CAUSING A FATIGUE PROBLEM. NO METHOD HAS YET BEEN FOUND FOR PREDICTING DESTRUCTIVE LIGHTING POLE VIBRATION. THESE CONDITIONS ARE UNIQUE AND CANNOT BE GUARANTEED AGAINST, AND ARE THE RESPONSIBILITY OF A LOCAL SITE ENGINEER.	
CHECKED:	DATE:		
REVISION:	DATE:		
APPROVED:			
QUOTE:			
S.O.#:			
REF:	SCALE: NONE		
DWG NO: TB2-17	SIZE D		